



ISTITUTO ITALIANO
DI TECNOLOGIA

TITLE

Apparatus and method for the automated detection of odorant substances in solution by use of nematodes *Caenorhabditis Elegans*

INVENTORS

Viola FOLLI, Andrea SANTINELLI, Marco BROGLIA

DESCRIPTION

The present invention relates to an apparatus and an automated detection method of molecular compounds in solution based on the use of multi-cellular microorganisms. The invention is efficient, reliable, simple and economical. In particular, the apparatus is based on the use of *Caenorhabditis Elegans* or *C. Elegans* nematodes, highly efficient in recognizing and interacting with certain molecular compounds showing high chemo-sensitivity and chemotaxis.

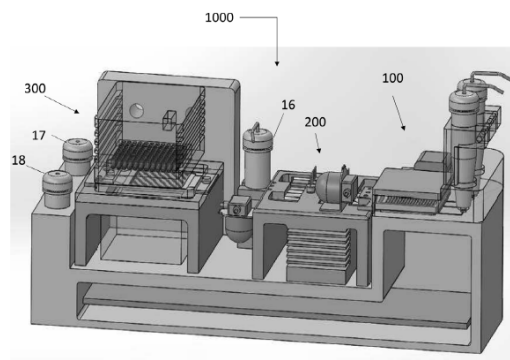


Figura 1

APPLICATIONS

Screening in the medical field, tumor markers

KEYWORDS

Caenorhabditis Elegans, microorganisms, nematodim screening, marker, chemotaxis

BIBLIOGRAPHIC DATA

Apparato e metodo per il rilevamento automatizzato di sostanze odoranti in soluzione tramite impiego di nematodi *Caenorhabditis Elegans*

Application Number IT 102017000119113

Priority Date October 20, 2017

Applicants Fondazione Istituto Italiano di Tecnologia, CrestOptics

CONTACTS

Technology Transfer Office

Lorenzo Rossi

Lorenzo.rossi@iit.it

+39 010 71781 489