



ISTITUTO ITALIANO
DI TECNOLOGIA

TITLE

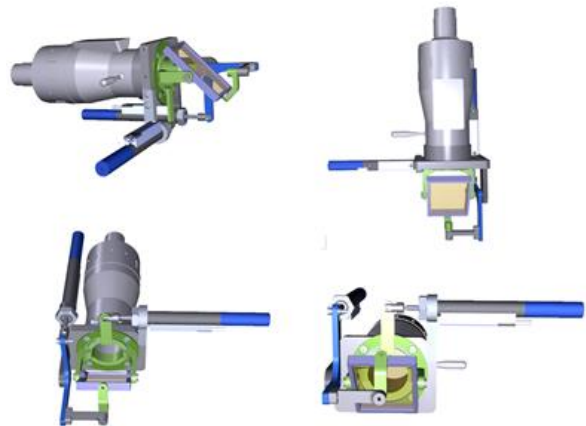
Linearly actuated two degree-of-freedom spherical orienting device particularly useful for the orientation of see-through optical elements

INVENTORS

Leonardo De Mattos, Gianluca Pane, Darwin Caldwell

DESCRIPTION

The invention relates to a new device for the motorized control of the aiming and scanning motions of a laser beam. The particular conformation of the presented device permits to increase the overall performances in terms of speed and precision of the laser orientation in comparison to the existing devices. Its first potential application is laser microsurgery, similar devices present in prior art are called laser micromanipulator. Therefore, the system could be termed as "Linear actuated Laser Micromanipulator".



APPLICATIONS

Laser microsurgery, device orientation, laparoscopy, industrial automation

KEYWORDS

Linear actuator, mechanical rotary-to-linear conversion design, aiming system, spherical oriented device, electronic control

BIBLIOGRAPHIC DATA

Dispositivo per l'orientamento sferico di un elemento ottico, in particolare per dirigere un fascio di luce, quale un fascio laser

Application Number IT TO2014A000432

Priority Date May 30, 2014

Applicants Fondazione Istituto Italiano di Tecnologia

CONTACTS

Technology Transfer Office

Matteo Faccenda

+39 010 71781 968

matteo.faccenda@iit.it