



ISTITUTO ITALIANO
DI TECNOLOGIA

TITLE

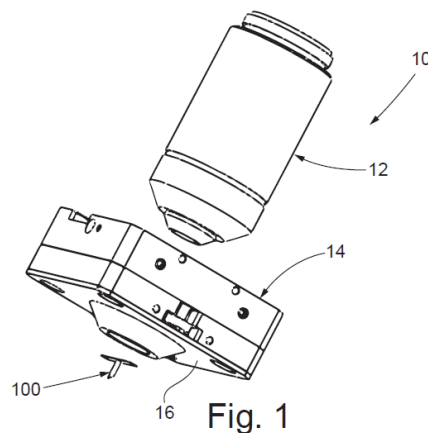
Integrated optic system for a micro-endoscopy device

INVENTORS

Andrea Antonini, Carlo Liberale, Tommaso Fellin

DESCRIPTION

The integrated optical system includes a distal micro-endoscopic probe having a mainly longitudinal extension, able to penetrate into a tissue to be observed, and through the which are able to pass light radiation directed to the tissue and / or coming from it; and a proximal element substantially flat, integrated with the probe and extending transversely with respect to this probe. The element is adapted to couple with a frame of an apparatus for microscopic investigation, it is optically transparent at least in a region of the optical input interface to which the optically useful area of the output sensor is facing. Among the optically useful area and the input interface region is directly interposed an optically transparent adhesive which stably binds the probe with the coupled element.



APPLICATIONS

Endoscopy, neurosciences, dermatology

KEYWORDS

Probe holder, optomechanical adapter, microendoscope, GRIN probes, GRIN fibres, miniature endoscope

BIBLIOGRAPHIC DATA

Sistema ottico integrato per un'apparecchiatura microendoscopica

Application Number

IT TO2013A001059

Priority Date

December 23, 2013

Applicants

Fondazione Istituto Italiano di Tecnologia

CONTACTS

Technology Transfer Office

Augusta Galano

+39 010 71781 568

augusta.galano@iit.it