



ISTITUTO ITALIANO
DI TECNOLOGIA

TITLE

Distal scanning module, in particular to control the pointing and the displacement of an optical device of a medical device, such as a diagnostic or surgical tool.

INVENTORS

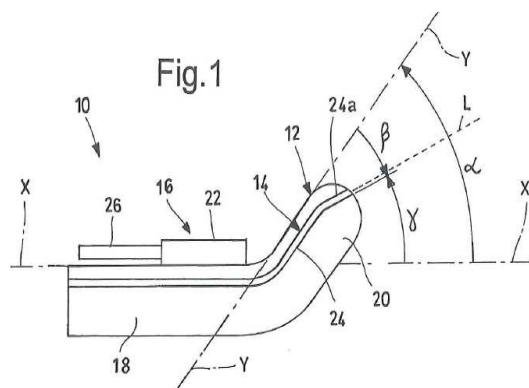
Leonardo De Mattos, Emidio Olivieri, Darwin Caldwell

DESCRIPTION

The invention relates to a device that includes:

- an elongated structure; an optical apparatus associated with the elongated structure and adapted to be exposed to a portion located within a body cavity of a patient;
- an actuating apparatus arranged to control the position of the elongated structure in such a way as to orient the optical device into the body cavity.

The elongated structure has a proximal portion and a portion with a deformable extremity that has the tendency to remain and elastically return in default state in which it is normally flexed. The drive apparatus comprises a guided mobile pusher arranged to insist against the said extremity in order to angularly move it from the folded state to a substantially straightened state.



APPLICATIONS

Laser surgery, microsurgery, endoscopy

KEYWORDS

Laser micromanipulator, laser scanner, bending structure, push-bar actuation, rod actuation, endoscopic tool

BIBLIOGRAPHIC DATA

Modulo distale di scansione, in particolare per controllare il puntamento e lo spostamento di un apparecchio ottico di un dispositivo medico, quale uno strumento diagnostico o chirurgico

Application Number	IT TO2013A000943
Priority Date	November 20, 2013
Applicants	Fondazione Istituto Italiano di Tecnologia

CONTACTS

Technology Transfer Office	Lorenzo Rossi	+39 010 71781 489
		lorenzo.rossi@iit.it